

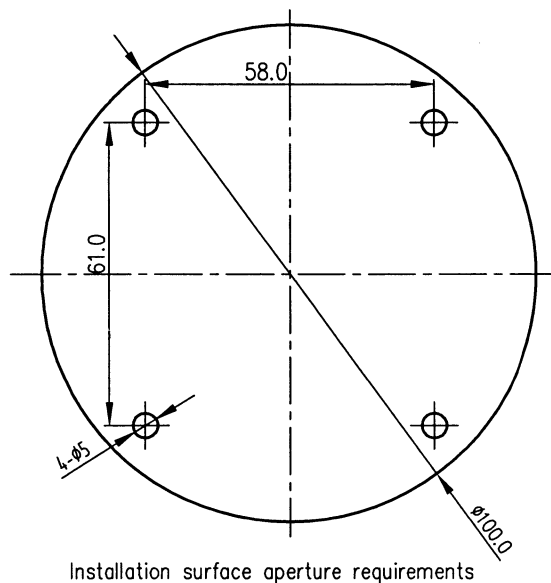
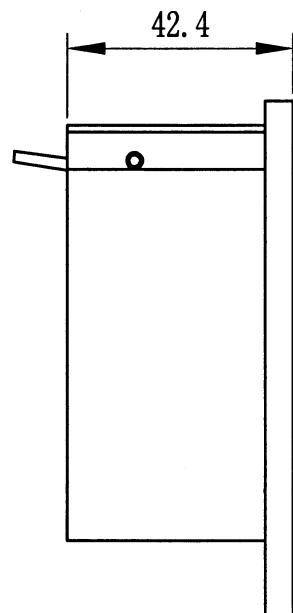
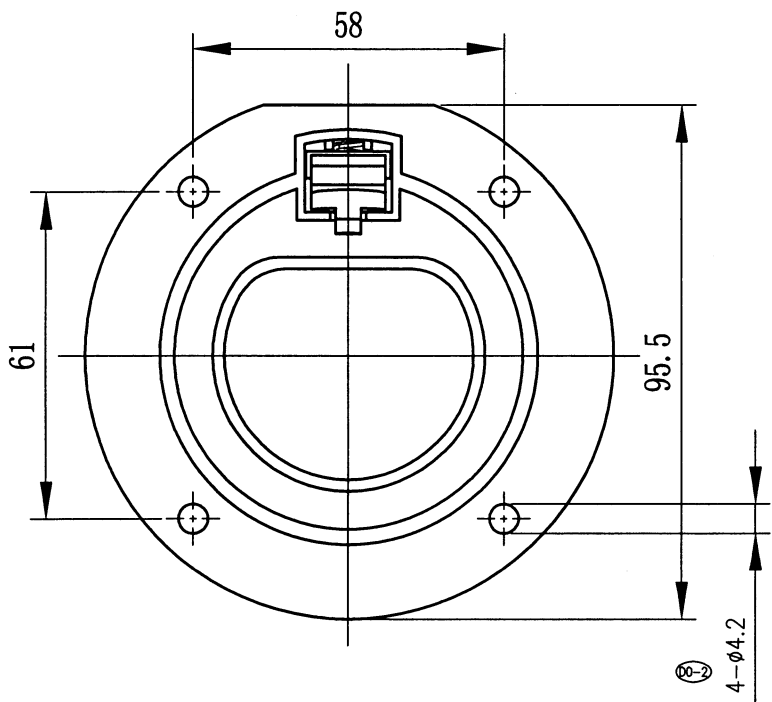
未注公差/General tolerances(mm)													0.1/10 ±Z'
0	>3	>6	>10	>18	>30	>50	>80	>120	>180	>250	>315	>400	
~3	~6	~10	~18	~30	~50	~80	~120	~180	~250	~315	~400	~500	
±0.12	±0.18	±0.22	±0.26	±0.31	±0.37	±0.57	±0.80	±0.93	±1.05	±1.15	±1.60	±2.20	±2.50

A

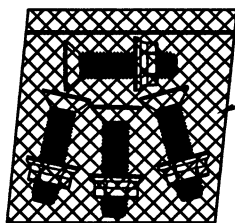
B

C

D



Installation surface aperture requirements



M4*20mm Material: SUS304
The mounting screws are individually packaged

DISSON		MATERIAL:	SURFACE/COLOR:
APPD: <i>2023.03.24</i>		MAT NO./REV: DO-2	MAT STATUS:
CHKD: <i>Zhang Q</i>		NAME: FEAC-V-03-01A(H)	
DRFT: Zhang Q	DATE: 2023.03.24	DRAWING NO.	TYPE: CUSTOMER DRAWING
REV: 00-2	ECN:	DESCRIPTION: Update the drawing	DRAWING STATUS
DRFT: Zhang Q	DATE: 2023.03.24	DRAFT: Zhang Q	SCALE: 1:1
A4		UNIT: mm	SHEET: 1/1

REV	ECN	DESCRIPTION	DRFT	DATE
00-2		Update the drawing	Zhang Q	2023.03.24

Transfer or duplication of this document as well as the utilization or communication of its contents are prohibited unless explicit authorization is granted. Dissson reserves all rights reserved for patent, utility, model or design registrations. 未经许可，不得复制或传播本文件内容。本公司保留所有专利、实用新型、外观设计等知识产权。