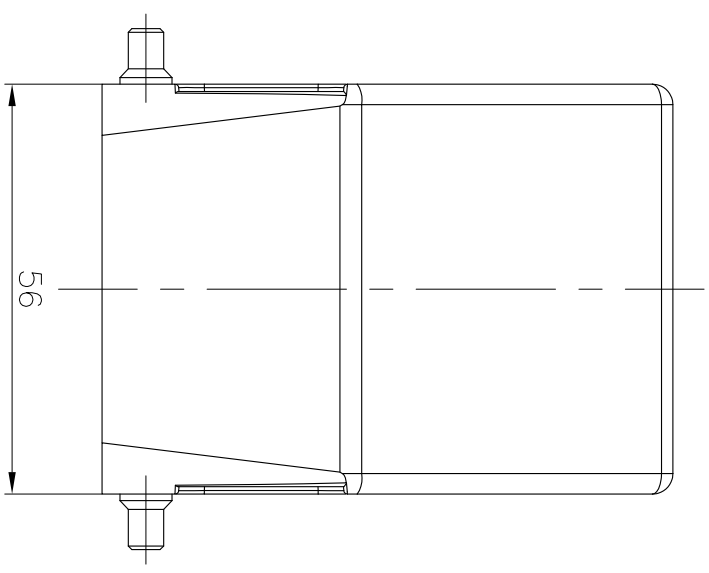
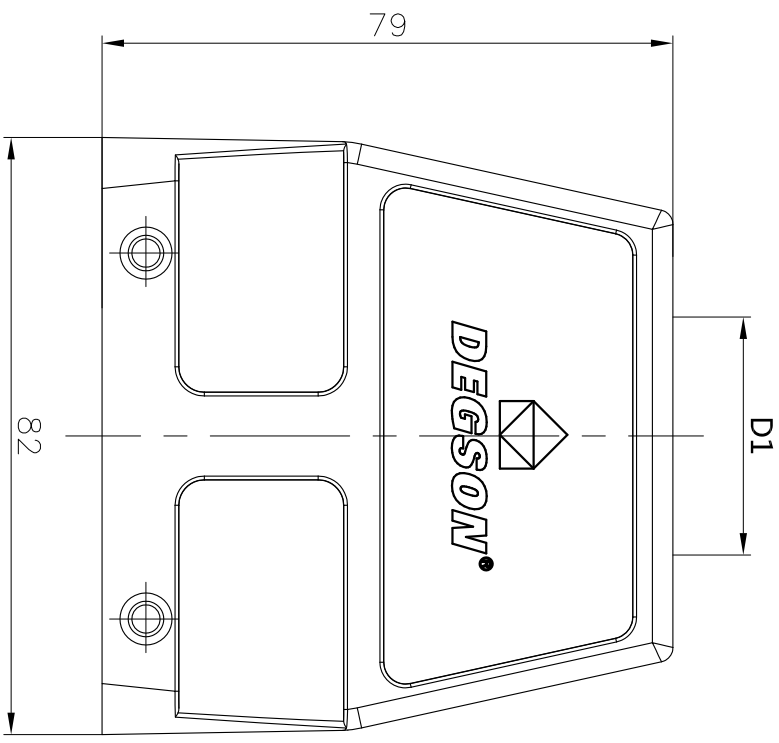
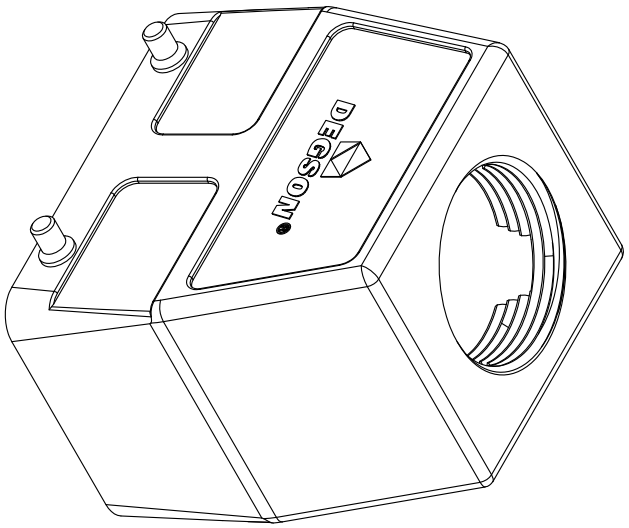


REVISION RECORD				
REV	ECN	DESCRIPTION	DRFT	DATE

TYPE	Thread(D1)	Selection
D32A-TEH-4g-M25	M25	
D32A-TEH-4g-M32	M32	
D32A-TEH-4g-PG21	PG21	
D32A-TEH-4g-PG29	PG29	



- Hoods Feature
01. Material: Aluminium die-cast
 02. Surface: Powder-coated
 03. Color: grey (RAL 7037)
 04. Limiting temperatures: -40°C~+125°C
 05. Flammability acc to UL94: V0
 06. Degree of protection acc. to EN60529 for coupled connector: IP65
 07. Rohs Compliance

DETACHED LISTS			
PART NO.:		NAME:	DEGSSON NINGBO DEGSSON ELECTRICAL CO., LTD 宁波高松电子有限公司
APPR:		TITLE:	D32A-TEH-4g-M/PG CUSTOMER DRAWING
CHKD:		DRAWING NO.:	
DRFT:	Mr. yong 2016.08.15	REV	DO-1
THIRD ANGLE PROJECTION		SHEET	1/1
		SCALE	1:1

A 8 7 6 5 4 3 2 1