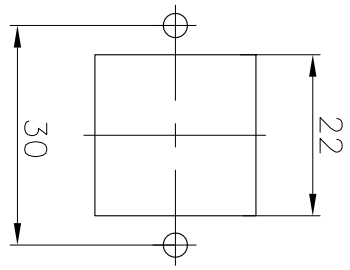
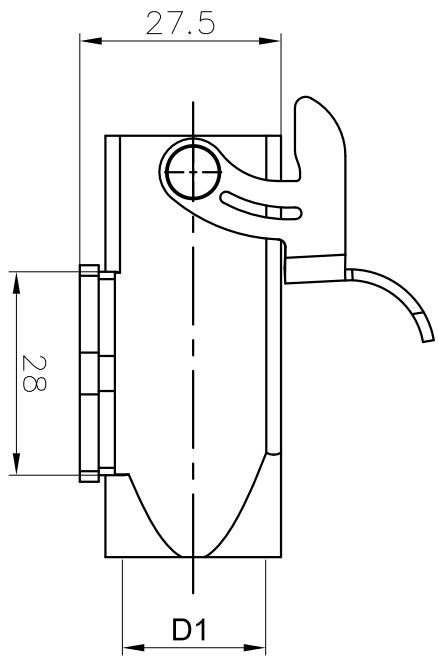
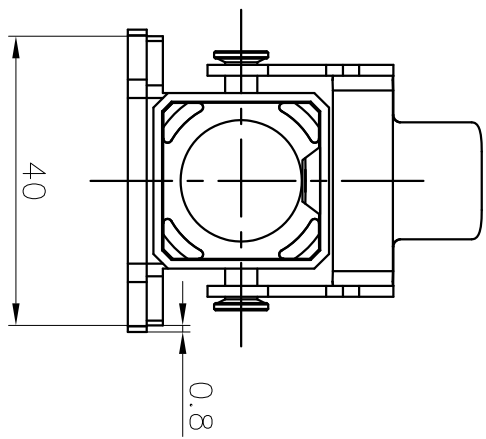
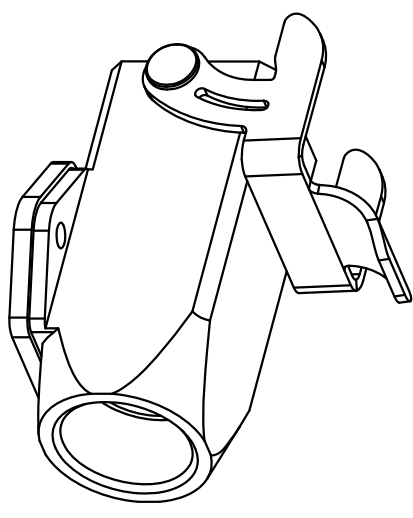
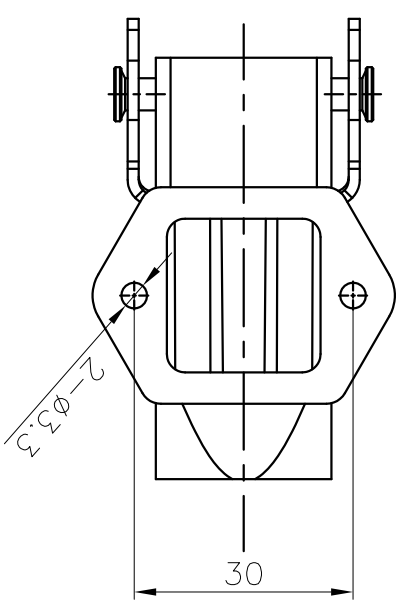


TYPE	Thread(D1)	Selection
D3A-SF-1L-M20	M20	
D3A-SF-1L-PG11	PG11	
D3A-SF-1L-PG13.5	PG13.5	

REVISION RECORD			
REV	ECN	DESCRIPTION	DATE



Panel cut out



**Housings Feature**

1. Material: Zinc die-cast
2. Surface: Powder-coated
3. Color: grey (RAL 7037)
4. Material: Metal (Lever)
5. Sealing: NBR
6. Limiting temperatures: -40°C ~ +125°C
7. Flammability acc to UL94: V0
8. Degree of protection acc.to EN60529 for coupled connector : IP65
9. Rohs compliance

DETACHED LISTS			
PART NO.:	NINGBO DEGSON ELECTRICAL CO., LTD 宁波高松电子有限公司		
APPD:	NAME: D3A-SF-1L-M/PG		
CHKD:	TITLE: CUSTOMER DRAWING		
DFT: Mr. yong2018.06.16	DRAWING NO.:	REV	DO-1
THIRD ANGLE PROJECTION	SCALE	1:1	

A 8 7 6 5 4 3 2 1