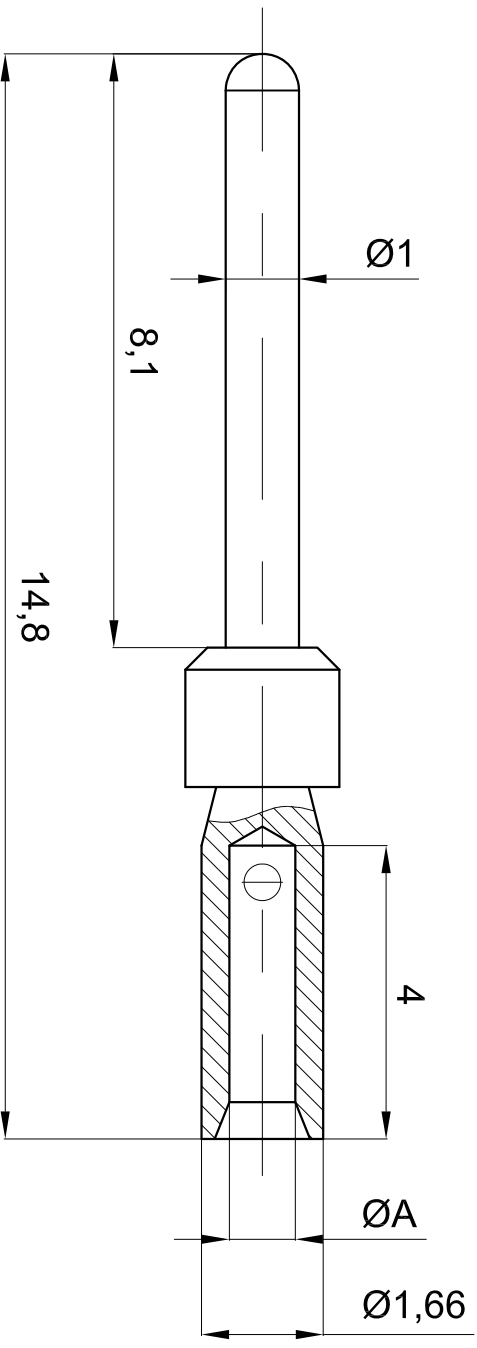


REVISION RECORD				
REV	ECN	DESCRIPTION	DRFT	DATE

Contacts, Gold-plated	(ØA)	Wire gauge		Recommended stripping length
		(mm ²)	(AWG)	
◆ 5A-GM-0.25	0.64	0.09~0.25	28~24	5mm
5A-GM-0.33	0.90	0.25~0.33	24~22	5mm
5A-GM-0.52	1.12	0.33~0.52	22~20	5mm



Crimp contacts

- 01. Material :Copper alloy
- 02. Surface :Gold-plated
- 03. Contact resistance : ≤3mΩ
- 04. Terminal :Crimp connection
- 05. Wire gauge : 0.09~0.52² (AWG 28~20)
- 06. Rohs Compliance

DETACHED LISTS			
PART NO.:	/	NAME:	DEGSON ® NINGBO DEGSON ELECTRICAL CO., LTD 宁波高松电子有限公司
APPD.:		TITLE:	5A-Male Contacts(Gold-plated)
CHKD.:		DRAWING NO.:	/
DRFT.:	Mr. Yang 2016.08.08	DO NOT SCALE DRAWING	SCALE
THIRD ANGLE PROJECTION		1MM (INCH)	10:1