

REVISION RECORD				
REV	ECN	DESCRIPTION	DRFT	DATE

Technical characteristics:

Specifications  
 DIN EN 60 664-1  
 DIN EN 61 984

Inserts

- 01. Number of contacts : 8/24+PE
- 02. Rated Current : 16A/10A
- 03. Rated Voltage : 230V/400V  
Rated Voltage : 160V
- 04. Pollution degree : 3
- 05. Rated impulse voltage : 4kv/2.5kv
- 06. Insulation resistance :  $\geq 10^{10}$
- 07. Material: Polycarbonate
- 08. Rated voltage acc. to UL/CSA: 600V/300V
- 09. Limiting temperatures : -40°C ~ +125°C
- 10. Flammability acc. to UL94: V0
- 11. Mechanical working life (mating cycles) :  $\geq 500$

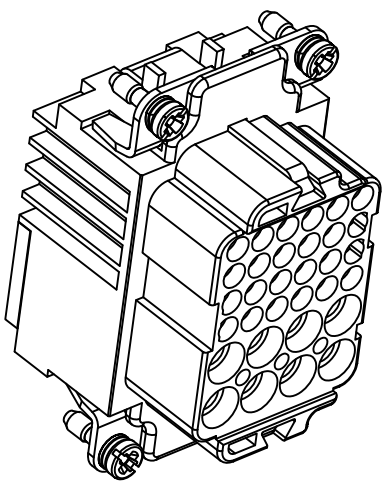
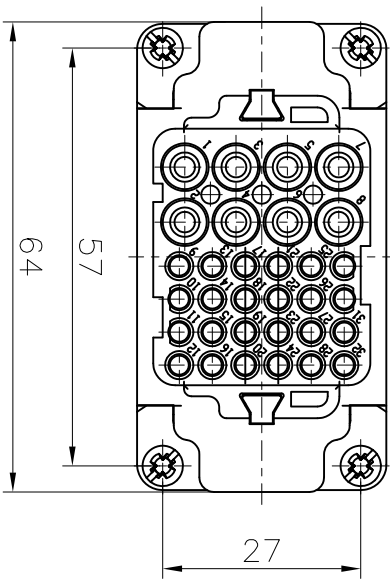
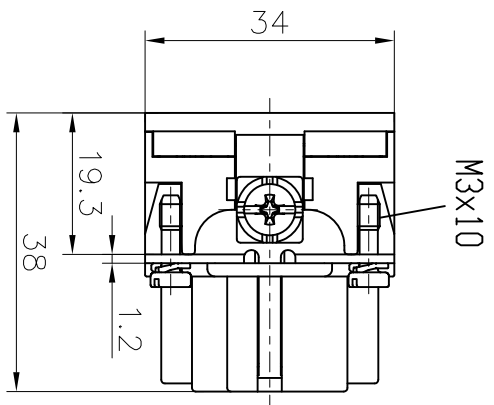
Contacts

- Power contacts
- 01. Material: Copper alloy
- 02. Surface: hard-Gold plated  
: hard-Silver plated
- 03. Contact resistance :  $\leq 1m\Omega$
- 04. Terminal : Crimp terminal
- 05. Wire gauge : 0.5-4mm<sup>2</sup> (AWG20-12)
- 06. Stripping length : 7.5mm

Signal contacts

- 01. Material: Copper alloy
- 02. Surface : hard-Gold plated  
: hard-Silver plated
- 03. Contact resistance :  $\leq 3m\Omega$
- 04. Terminal : Crimp terminal
- 05. Wire gauge : 0.37-2.5mm<sup>2</sup> (AWG26-14)
- 06. Stripping length : 6~8mm
- 07. Rols Compliance

Note: Crimp contact pins should order separately



DETACHED LISTS			
PART NO.:	/	NAME:	<b>DEGSON</b> ® NINGBO DEGSON ELECTRICAL CO., LTD 宁波高松电子有限公司
APPD:		TITLE:	CUSTOMER DRAWING
CHKD:		DRAWING NO.:	/
DRFT:	Mr. Yqng 2016.10.08	DO NOT SCALE DRAWING	SCALE
THIRD ANGLE PROJECTION			1:1