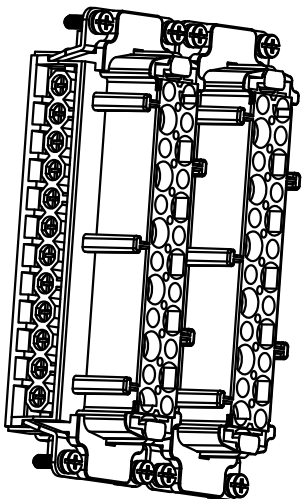
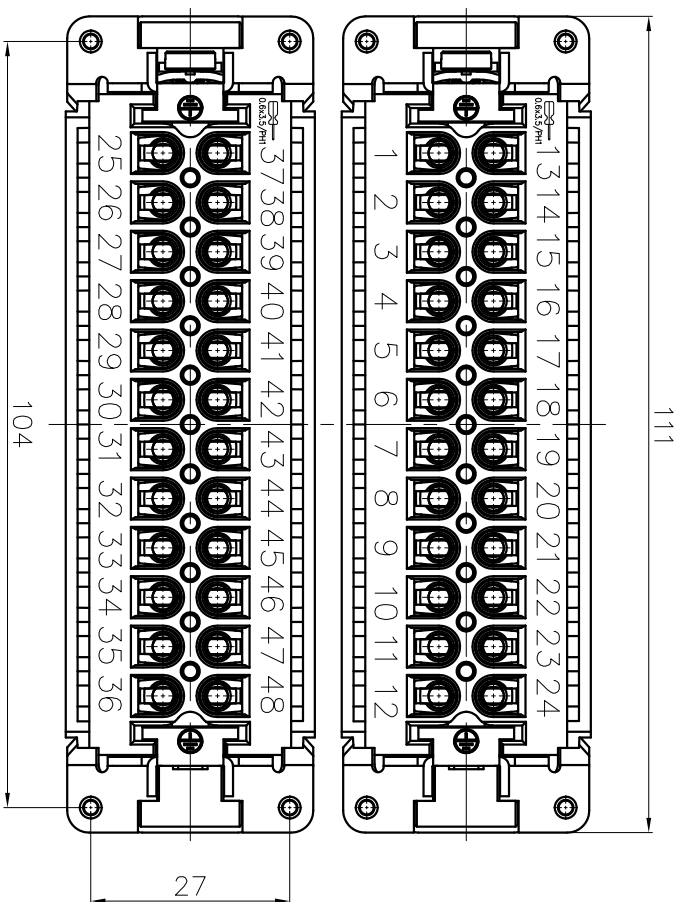
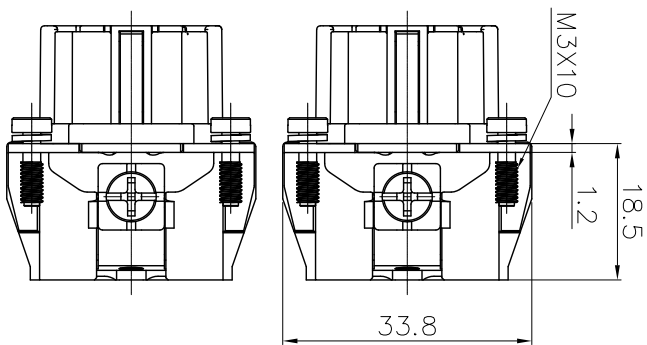


Transfer or duplication of this document as well as the utilization or communication of its contents are prohibited unless explicit authorization is granted. Violations will be liable for compensation. All rights reserved for patent, utility model or designs registrations. 除非给予明确授权，否则禁止转让、复制、利用、交流本文件的内容。侵犯者将承担赔偿责任。本公司保留对涉及发明、实用新型和外观专利的所有权利。



Technical characteristics:
 Specifications
 DIN EN 60 664-1
 DIN EN 61 984

Inserts

- 01. Number of contacts :48+PE
- 02. Rated Current :16A
- 03. Rated Voltage :500V
- 04. Pollution degree :3
- 05. Rated impulse voltage :6kV₁₀
- 06. Insulation resistance :≥10¹⁰Ω
- 07. Material:Polycarbonate
- 08. Rated voltage acc. to UL/CSA:600V
- 09. Limiting temperatures : -40°C~+125°C
- 10. Flammability acc. to UL94:V0
- 11. Mechanical working life (mating cycles) : ≥500

Contacts

- 01. Material:Copper alloy
- 02. Surface:hard-silver plated
- 03. Contact resistance :≤1mΩ
- 04. Terminal :Screw terminal
- 05. Wire gauge :1.0-2.5mm² (AWG 18-14)
- 06. Tightening torque :0.5Nm
- 07. Stripping length :7.5mm
- 08. Rohs Compliance

General tolerances:DIN ISO 2768-c

		MATERIAL:	/	SURFACE/COLOR:	/
		MAT NO./REV:	D0	MAT STATUS:	/
APPD: Song ZG 2023.08.22 CHKD: Yang SH 2023.08.22 DFT: Zhou YZ 2023.08.22		NAME:	DE-048-F		
REV	EON	DESCRIPTION	DFT	DATE	SCALE
2					1:1.5
					SHEET
					1/1