


REVISION RECORD				
REV	ECN	DESCRIPTION	DRFT	DATE

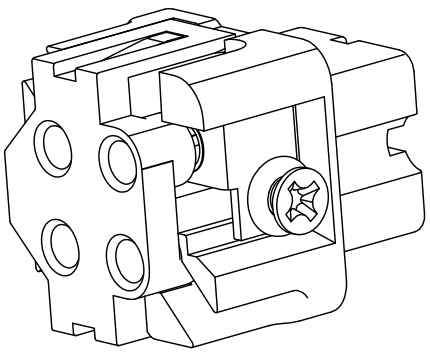
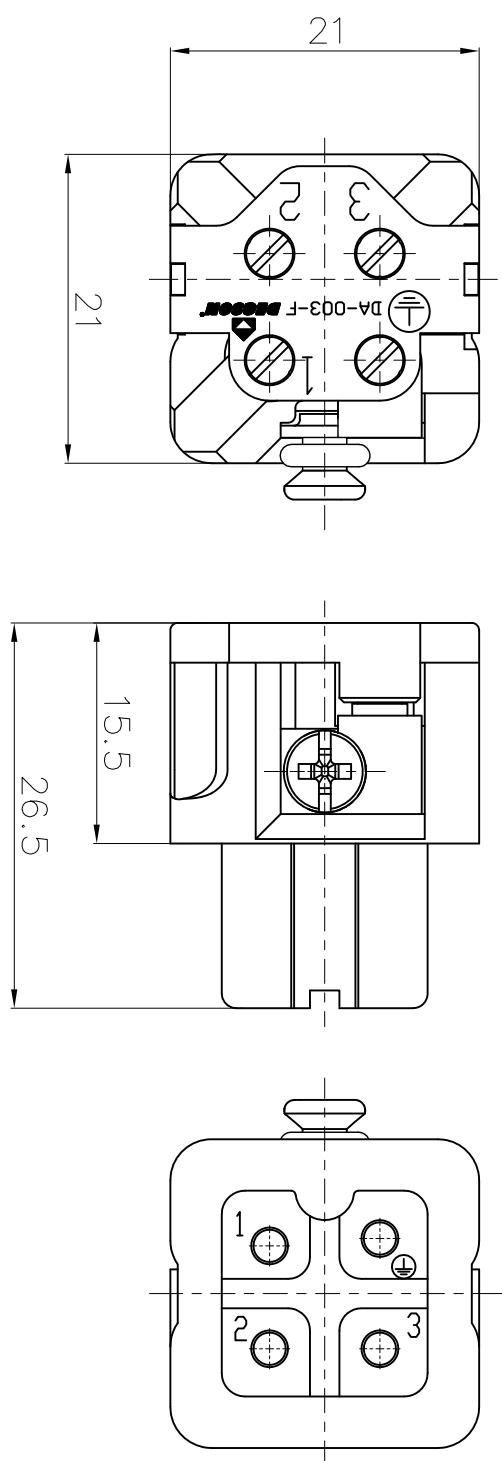
Technical characteristics:
 Specifications
 DIN EN 60 664-1
 DIN EN 61 984
 Approvals: 



Inserts

01. Number of contacts :3+PE
02. Rated Current :10A
03. Rated Voltage conductor-ground :230V
04. Rated Voltage conductor-conductor :400V
05. Pollution degree :3
06. Rated impulse voltage :4kv
07. or:10A/250V/4KV/3
08. Insulation resistance : $\geq 10^9 \Omega$
09. Material:Polycarbonate
10. Colour:RAL 7032(Light grey)
11. Rated voltage acc. to UL/GSA:600V
12. Limiting temperatures : -40°C~+125°C
13. Flammability acc. to UL94:V0
14. Mechanical working life (mating cycles) : ≥ 500

Contacts

01. Material:Copper alloy
02. Surface:hard-silver plated
03. Contact resistance : $\leq 2m\Omega$
04. Terminal :Screw terminal
05. Wire gauge :1.0-2.5mm² (AWG 18-14)
06. Tightening torque :0.25Nm
07. Stripping length :4.5mm
08. Rohs Compliance



DETACHED LISTS					
PART NO.:	DA003F	 NINGBO DEGSON ELECTRICAL CO.,LTD 宁波高松电子有限公司			
APPD:		NAME: DA-003-F			
CHKD:					
DRFT:	Mr.Yang 2016.06.16	TITLE: CUSTOMER DRAWING	REV	DO-1	
 THIRD ANGLE PROJECTION		DRAWING NO.:	DA-003-F-E01	SHEET	1/1
		SCALE	DO NOT SCALE DRAWING	SCALE	2:1

A 8 7 6 5 4 3 2 1