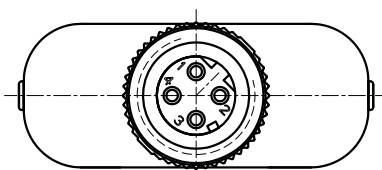
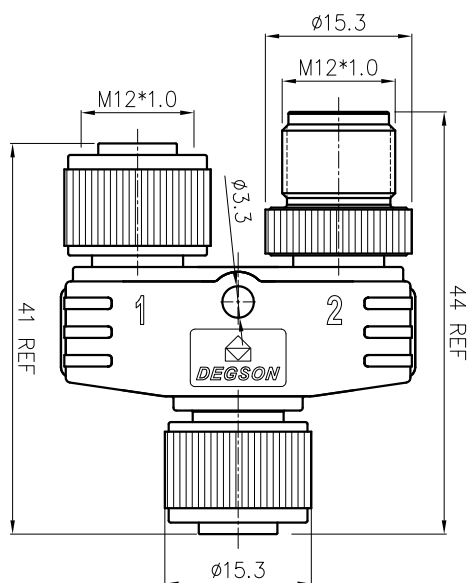
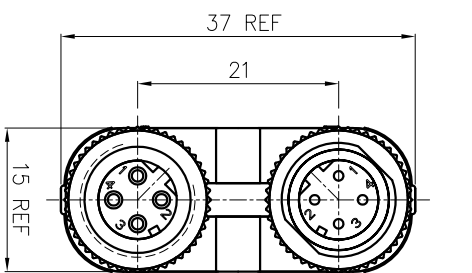
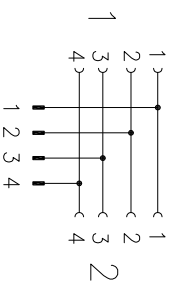


REVISION RECORD			
REV	ECN	DESCRIPTION	DWFT DATE



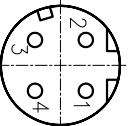
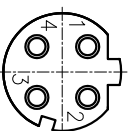
Circuit diagram:



NOTES:

- 1.RoHS Compliance,
- 2.The Code direction is shown as diagram,
- 3.Housing material: PU(Color:black),
- 4.Contact body material: PU(Color:black),
- 5.Contact material: Copper alloy,(plating: gold)
- 6.0 Ring material: Silicone,(Color: green)
- 7.Screw material: Zinc alloy (plating: Ni),

Female(Front view) Male(Front view)



Dimensional tolerance (mm)

≤30	30 ~ 60	60 ~ 100	100 ~ 150	>150
±0.20	±0.30	±0.50	±0.70	±1.00

DETACHED LISTS

PART NO.:	FY-M12D04F-M12D04F-Q01100
APPD:	WYM
CHKD:	WYM
DWFT:	2019/05/23
THIRD ANGLE PROJECTION	

Technique parameter	
Rated voltage	250V
Rated current	4A
Insulation resistance	≥100MΩ
Withstanding voltage	800V AC
Operating temperature	-25°C~+85°C
Levels of protection	IP67
Cable OD	/

DEGSON® NINGBO DEGSON ELECTRICAL CO., LTD
 宁波高松电子有限公司

NAME: FY-M12D-04F-M12D-04F-Q-0100

TITLE:	ASSEMBLY DRAWING	REV	TO-1
DRAWING NO.:	20000783	SHEET	1/1
DO NOT SCALE DRAWING	SCALE	1:1	