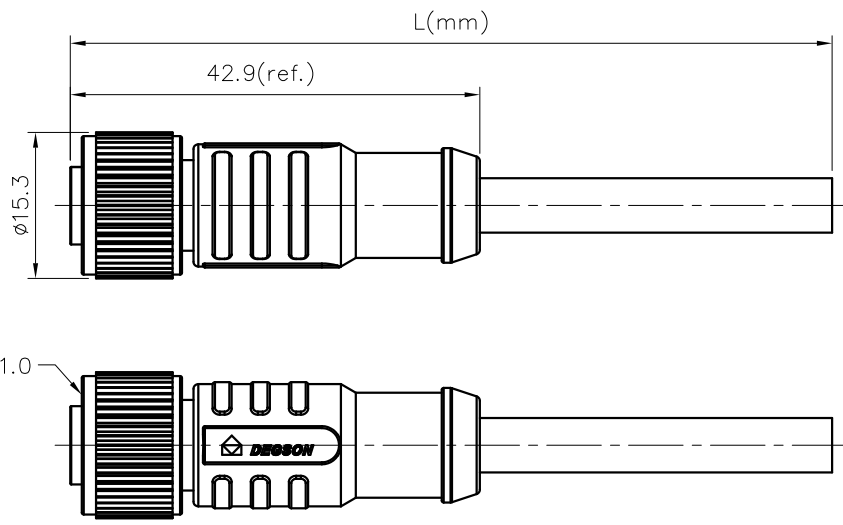
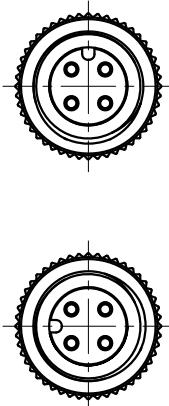


REVISION RECORD				
REV	ECN	DESCRIPTION	DRFT	DATE



- NOTES:
- Rated voltage/current : 3pin A: 250V / 4A
4pin A: 250V / 4A
5pin A: 60V / 4A
6pin A: 30V / 2A
8pin A: 30V / 2A
 - Withstanding voltage : 3,4pin: AC1500V/1Min
5pin: AC1120V/1Min
6,8pin: AC500V/1Min
 - Levels of protection: IP68
 - Cable specifications :
3pin A: 3C*22AWG/0.34mm²,UL2517/UL20549
4pin A: 4C*22AWG/0.34mm²,UL2517/UL20549
5pin A: 5C*22AWG/0.34mm²,UL2517/UL20549
6pin A: 6C*24AWG/0.25mm²,UL2517/UL20549
8pin A: 8C*24AWG/0.25mm²,UL2517/UL20549
 - Wire connection mode: soldering
 - Operating temperature: PVC Cable: -25°C~+85°C
PUR Cable: -25°C~+80°C
 - RoHS Compliance
 - Tolerance : ±0.5mm

PM-M12X-XXP-FF-SL8XXX-00A(H)

Coding: A,B,D

Pin number: 03,04, 05,06,08, 10,12

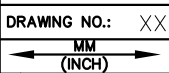
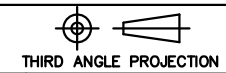
Cable length L: 01: 1M ... 99: 99M

The line grows business trip:
01~05m: ± 50mm
06~10m: ± 100mm
11~30m: ± 200mm
31~99m: ± 500mm

Cable jacket:
A: PVC UL2517;
B: PUR UL20549
C: PVC UL2517 For UL Approve
D: PUR UL20549 For UL Approve

3pin A Coding	4pin A Coding	5pin A Coding	6pin A Coding	8pin A Coding
Pin Assignments Front View	Pin Assignments Front View	Pin Assignments Front View	Pin Assignments Front View	Pin Assignments Front View
				8 Red
			7 Blue	7 Blue
			6 Pink	6 Pink
		5 Grey		5 Grey
4 Black	4 Black	4 Black	4 Yellow	4 Yellow
3 Blue	3 Blue	3 Blue	3 Green	3 Green
	2 White	2 White	2 Brown	2 Brown
1 Brown	1 Brown	1 Brown	1 White	1 White
Pin Wire Color	Pin Wire Color	Pin Wire Color	Pin Wire Color	Pin Wire Color
Pin Out	Pin Out	Pin Out	Pin Out	Pin Out

DETACHED LISTS	PART NO.: PMM12XXXPPFFSL8XXX00AH	宁波高松电子有限公司 NINGBO DEGSON ELECTRICAL CO., LTD		
	APPD:	NAME: PM-M12X-XXP-FF-SL8XXX-00A(H)		
	CHKD:	TITLE: CUSTOMER DRAWING		
	DRFT: SQ 2019.08.31	REV: D0-2	DO NOT SCALE DRAWING	
		DRAWING NO.: XXXXXXX-XX-CXX	SHEET: 1/2	SCALE: 1:1

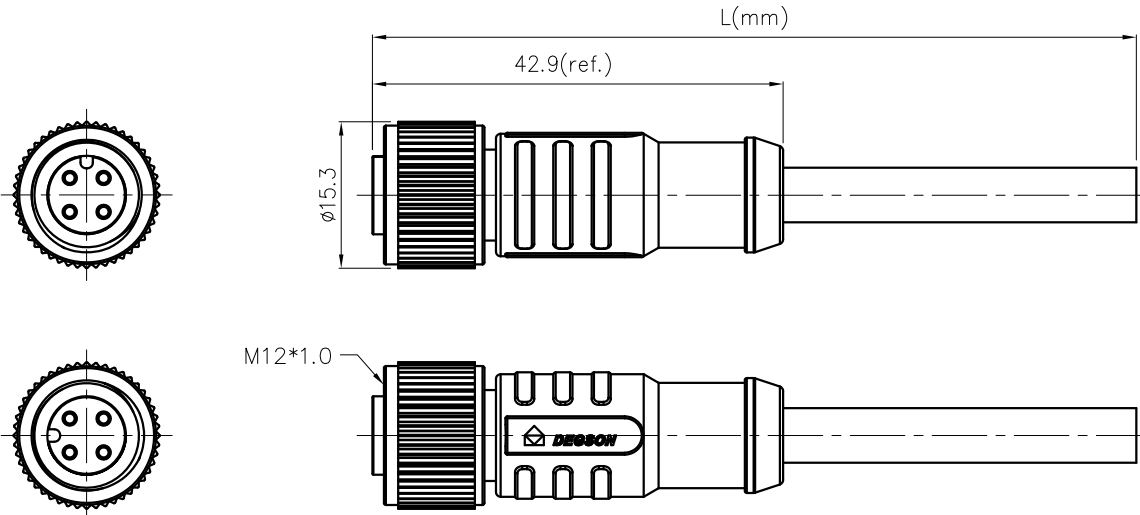


REVISION RECORD

REV	ECN	DESCRIPTION	DRFT	DATE
-----	-----	-------------	------	------

H
G
F
E
D
C
B
A

H
G
F
E
D
C
B
A



NOTES:

- Rated voltage/current : 10pin A: 30V / 1.5A
12pin A: 30V / 1.5A
5pin B: 60V / 4A
4pin D: 250V / 4A
- Withstanding voltage : 10,12pin: AC500V/1Min
5pin B: AC1120V/1Min
4pin D: AC1500V/1Min
- Levels of protection: IP68
- Cable specifications :
10pin A: 10C*26AWG/0.14mm², UL2517/UL20549
12pin A: 12C*26AWG/0.14mm², UL2517/UL20549
5pin B: 5C*22AWG/0.34mm², UL2517/UL20549
4pin D: 4C*22AWG/0.34mm², UL2517/UL20549
- Wire connection mode: soldering
- Operating temperature: PVC Cable: -25°C~+85°C
PUR Cable: -25°C~+80°C
- RoHS Compliance
- Tolerance : ±0.5mm

10pin A Coding		12pin A Coding		5pin B Coding		4pin D Coding	
Pin Assignments Front View		Pin Assignments Front View		Pin Assignments Front View		Pin Assignments Front View	
		12	Red/Blue				
		11	Grey/Pink				
10	Violet	10	Violet				
9	Red	9	Red				
8	Grey	8	Grey				
7	Black	7	Black				
6	Yellow	6	Yellow				
5	Pink	5	Pink	5	Grey		
4	Green	4	Green	4	Black	4	Black
3	White	3	White	3	Blue	3	Blue
2	Blue	2	Blue	2	White	2	White
1	Brown	1	Brown	1	Brown	1	Brown
Pin	Wire Color	Pin	Wire Color	Pin	Wire Color	Pin	Wire Color
	Pin Out		Pin Out		Pin Out		Pin Out

PM-M12X-XXP-FF-SL8XXX-00A(H)

Coding: A,B,D

Pin number: 03,04, 05,06,08, 10,12

Cable length L:
01: 1M
...
99: 99M
The line grows business trip:
01~05m: ± 50mm
06~10m: ± 100mm
11~30m: ± 200mm
31~99m: ± 500mm

Cable jacket:
A: PVC UL2517;
B: PUR UL20549
C: PVC UL2517 For UL Approve
D: PUR UL20549 For UL Approve

DETACHED LISTS	PART NO.: PMM12XXXPFSL8XXX00AH	宁波高松电子有限公司 NINGBO DEGSON ELECTRICAL CO., LTD		
	APPD:	NAME: PM-M12X-XXP-FF-SL8XXX-00A(H)		
	CHKD:	TITLE: CUSTOMER DRAWING		
	DRFT: SQ 2019.08.31	REV: D0-2	SHEET: 2/2	
		DRAWING NO.: XXXXXXXX-XX-CXX	SCALE: 1:1	DO NOT SCALE DRAWING