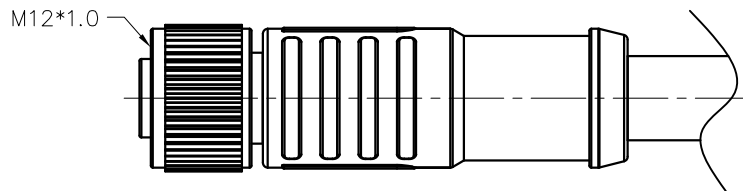
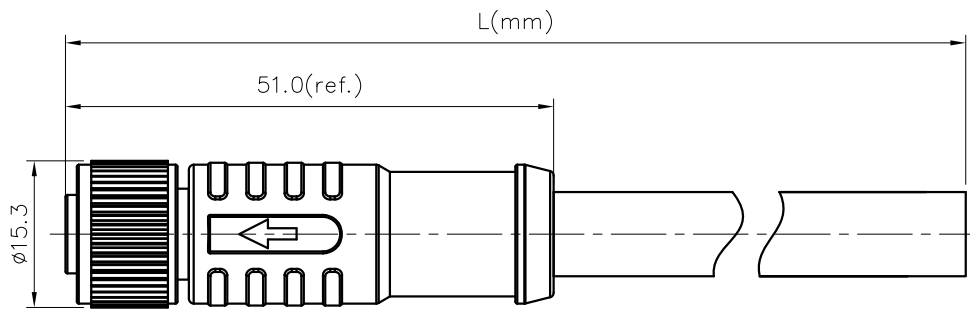
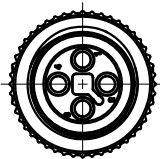


REVISION RECORD

REV	ECN	DESCRIPTION	DRFT	DATE
-----	-----	-------------	------	------



NOTES:

- Rated voltage/current : 3pin T:63V / 12A  
4pin T:63V / 12A
- Withstanding voltage : 3pin: AC1126V/1Min  
4pin: AC1126V/1Min
- Levels of protection:IP68
- Cable specifications :  
3pin T: 3C\*16AWG/1.5mm<sup>2</sup>,UL2464/UL20549  
4pin T: 4C\*16AWG/1.5mm<sup>2</sup>,UL2464/UL20549
- Wire connection mode:soldering
- Operating temperature:-25°C~+80°C
- RoHS Compliance
- Tolerance : ±0.5mm

PM-M12T-XXP-FF-SL8XXX-00A(H)

Pin number:03,04

Cable jacket:  
A:PVC UL2464;  
B:PUR UL20549

Cable length L:  
01:1M  
...  
99:99M  
The line grows business trip:  
01~05m: ± 50mm  
06~10m: ± 100mm  
11~30m: ± 200mm  
31~99m: ± 500mm

3pin T Coding		4pin T Coding	
Pin Assignments Front View		Pin Assignments Front View	
4	Black	4	Black
3	Blue	3	Blue
1	Brown	2	White
1	Brown	1	Brown
Pin	Wire Color	Pin	Wire Color
Pin Out		Pin Out	

DETACHED LISTS	PART NO.: PMM12TXXPFFSL8XXX00AH		宁波高松电子有限公司 NINGBO DEGSON ELECTRICAL CO., LTD	
	APPD:	NAME: PM-M12T-XXP-FF-SL8XXX-00A(H)		
	CHKD:			
	DRFT: SQ 2019.05.17	TITLE: CUSTOMER DRAWING	REV	D0-1
	THIRD ANGLE PROJECTION		DRAWING NO.: XXXXXXXX-XX-CXX	SHEET 1/1
		MM (INCH)	DO NOT SCALE DRAWING	SCALE 1:1