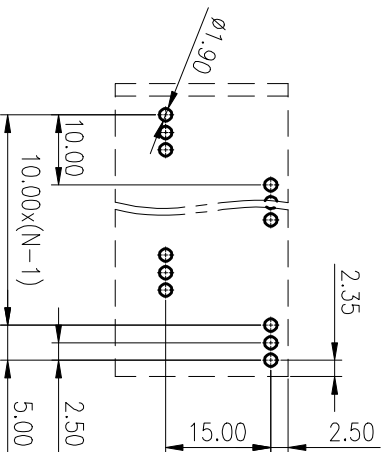
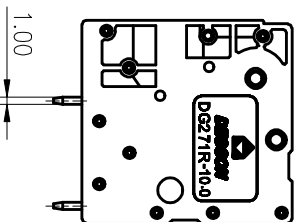
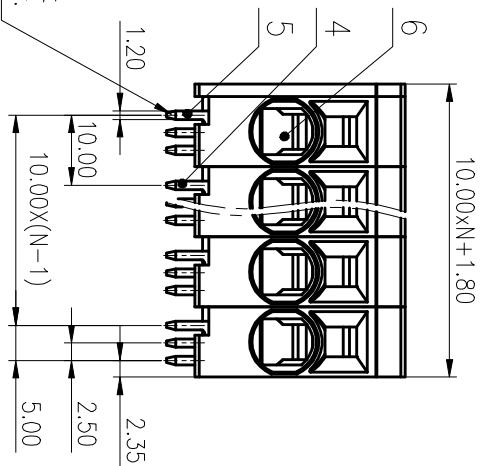


Based on Cover,the first one is Front pin header.



PCB LAYOUT

公差等级/General Tolerances(mm)		公差等级/General Tolerances(mm)		公差等级/General Tolerances(mm)		公差等级/General Tolerances(mm)		公差等级/General Tolerances(mm)		公差等级/General Tolerances(mm)		
0	>3	>6	>10	>18	>30	>50	>80	>120	>180	>280	>315	>400
~	~	~	~	~	~	~	~	~	~	~	~	~
3	6	10	18	30	50	80	120	180	280	315	400	500
±0.12 ±0.18 ±0.22 ±0.26 ±0.31 ±0.37 ±0.57 ±0.80 ±0.93 ±1.05 ±1.15 ±1.60 ±2.20 ±2.50												
±Z												

6	Spring	Stainless steel	/
5	Front pin header	Copper	Sn Plated
4	Back pin header	Copper	Sn Plated
3	Cover	PA66	UL94V-0
2	Right housing	PA66	UL94V-0
1	Left housing	PA66	UL94V-0

UL 标准/UL Standard:		B	C	D
额定电压/电涌/Rated Voltage(V)/Current(A)		600/70	600/70	600/5
IEC 标准/IEC Standard:				
过压类别/Overvoltage Category/污染等级/Pollution Degree		III/3	III/2	II/2
额定电压/电涌/Rated Voltage(V)/Current(A)		1000/76	1000/76	1000/76
额定脉冲电压/Rate Impulse Voltage(KV)		8	8	8
线径范围(硬线和软线)/Wire Range(rigid and flexible)(mm ² /AWG)		0.2~1.6/20~4		
间距/Pitch(mm)/线数范围/Poles		10.0/N=02~12P		
剥线长度/Stripping length(mm)		17~18		
使用温度范围/Operating temperature(°C)		-40~+105		
符合RoHS要求/Conform to RoHS		Yes		

MATERIAL: / SURFACE: /

MAT NO.: /
 STATUS: /
 APPD: Li GL 2020.05.15
 CHKD: MoEK 2020.05.15
 DRAFT: MEK 2016.12.28

NAME: **DEGSON® NINGBO DEGSON ELECTRICAL CO., LTD**
DG271R-10.0-DB-XP-1Y-100A(H)

DRAWING NO.: DG271R-10.0-DB-C01
 TYPE: CUSTOMER DRAWING
 SCALE: 1:1
 REV T1
 SHEET 1/1

REV	ECN	DESCRIPTION	DRAFT	DATE