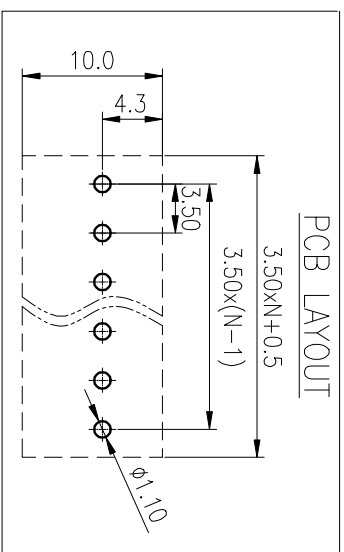
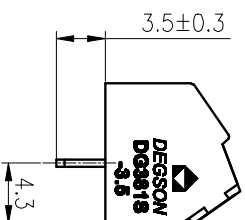
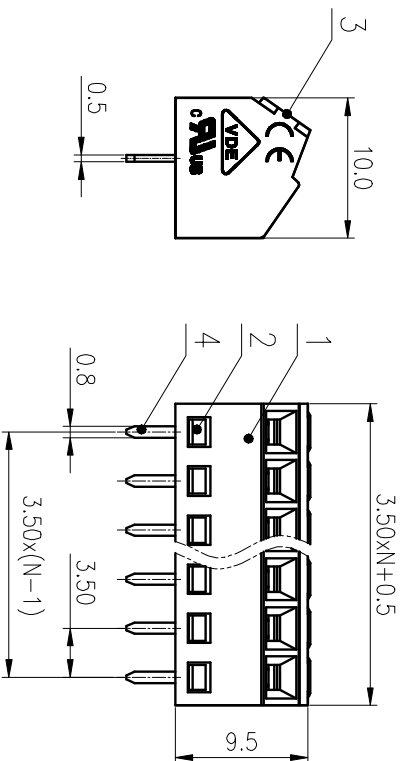
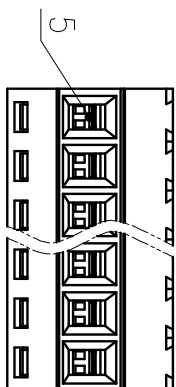


公差等级/General	tolerance/(mm)	0	>3	>6	>10	>18	>30	>50	>80	>120	>180	>280	>315	>400	>500	0.1/1/10
~	~	~	~	~	~	~	~	~	~	~	~	~	~	~	~	±Z
±0.12	±0.18	±0.22	±0.26	±0.31	±0.37	±0.57	±0.80	±0.93	±1.05	±1.15	±1.60	±2.20	±2.50			



5	Cage	Copper alloy	M2/Ni Plated
4	Pin Header	Copper alloy	Sn Plated
3	Screws	Steel	M2/Zn Plated
2	Cover	PA66	UL94V-0
1	Housing	PA66	UL94V-0
ITEM	NAME OF PART	MATERIAL	NOTES
UL 标准 /UL Standard:		B	C
额定电压/电涌/Rated Voltage(V)/Current(A)		300/10	/
IEC 标准/IEC Standard:			/
过压类别/Overvoltage Category/特类等		/	III/2
额定电压/电涌/Rated Voltage(V)/Current(A)		/	130/10
工额耐压/Withstanding Voltage(V/Min)		/	AC1250
螺丝扭矩/Torque Tightening(N·m/Lb.in)		M2, 0.2/1.77	/
线径范围(硬线和软线)/Wire Range(rigid and flexible)(mm² /AWG)		0.2~1.5/26~16	/
间距/Pitch(mm)/线数范围/Poles		3.50/N=02~18P	/
剥线长度/Stripping length(mm)		5~6	/
使用温度范围/Operating Temperature(°C)		-40~+105	/
符合RoHS环保要求/Conform to RoHS		Yes	/
标准颜色编号/Standard color number:			/
PANTONE / RAL			/

MATERIAL: SURFACE:

MAT NO.: /

STATUS: /

Appd: Li GL 2020.06.22

CHKD: Mao J 2020.06.22

DRT:Wang LX 2020.06.22

NAME: **DEGSON® NINGBO DEGSON ELECTRICAL CO., LTD**

DC381S-3.5-XXP-1Y-00A(H)

DRAWING NO.: DC381S-3.5-C01

TYPE: CUSTOMER DRAWING

REV	ECN	DESCRIPTION	DRT	DATE	SIZE: A4	SCALE: 2:1	REV	T0
1							1/1	

1 2 3 4 5 6