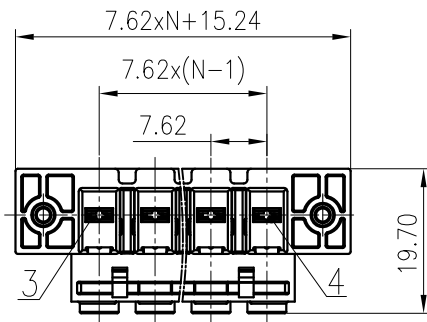
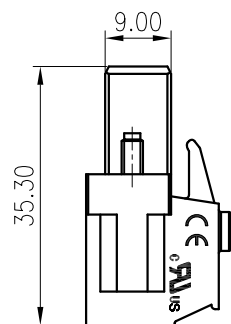


未注公差/General tolerances(mm)											0.1/10		
0	>3	>6	>10	>18	>30	>50	>80	>120	>180	>250			
~3	~6	~10	~18	~30	~50	~80	~120	~180	~250	~315	~400	>500	
±0.12	±0.18	±0.22	±0.26	±0.31	±0.37	±0.57	±0.80	±0.93	±1.05	±1.15	±1.60	±2.20	±2.50

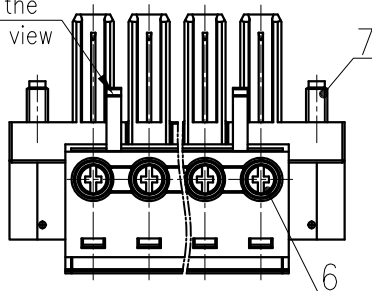
A



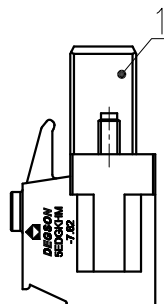
B



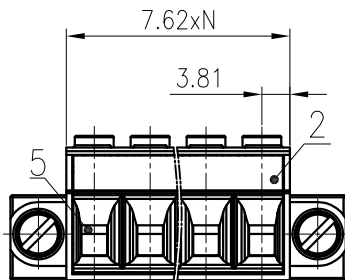
02P:Clasp on the left from this view



C



D



7	Screw2	Steel	M3/Zn Plated
6	Screw1	Steel	M3/Zn Plated
5	Cage	Copper alloy	M3/Ni Plated
4	Spring	Stainless steel	/
3	Clamp	Copper	Sn Plated
2	Cover	PA66	UL94V-0
1	Housing	PA66	UL94V-0

ITEM	NAME OF PART	MATERIAL	NOTES
JL 标准/UL Standard:		B	C D
额定电压/电流/Rated Voltage(V)/Current(A)		600/41	600/41 600/5
IEC 标准/IEC Standard:			
过压类别/Overvoltage Category/污染等级/Pollution Degree		III/3	III/2 II/2
额定电压/电流/Rated Voltage(V)/Current(A)		1000/41	1000/41 1000/41
额定脉冲电压(KV)/Rate Impulse Voltage(KV)		8	8 6
螺丝扭矩/Torque Tightening(N·m/Lb.in)		M3, 0.8/7.0	
线径范围(硬线和软线)/Wire Range(rigid and flexible)(mm <sup>2</sup> /AWG)		0.5~6.0/24~8(str), 24~10(sol)	
间距/Pitch(mm)/线数范围/Poles		7.62/N=02~12P	
剥线长度/Stripping length(mm)		11	
使用温度范围/Operating temperature(°C)		-40~+105	
符合RoHS环保要求/Conform to RoHS		Yes	

MATERIAL: /	SURFACE: /		
MAT NO.: /	宁波高松电子有限公司 NINGBO DEGSON ELECTRICAL CO., LTD		
STATUS: /			
APPD:	NAME: 5EDGKHM-7.62-XXP-1Y-02A(H)		
CHKD:			
DRFT: CenMZ 2020.06.10	DRAWING NO.: 5EDGKHM-7.62-C01		REV TO
REV	ECN	DESCRIPTION	DRFT DATE
⊕	SIZE: A4	mm (inch)	TYPE: CUSTOMER DRAWING SCALE: 1:1 SHEET 1/1