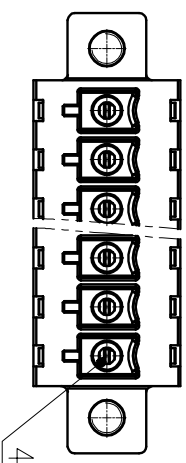
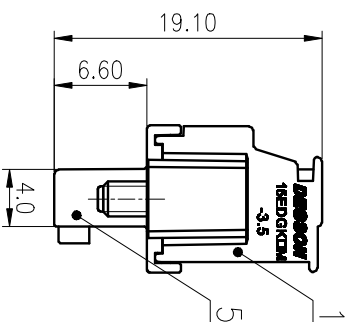
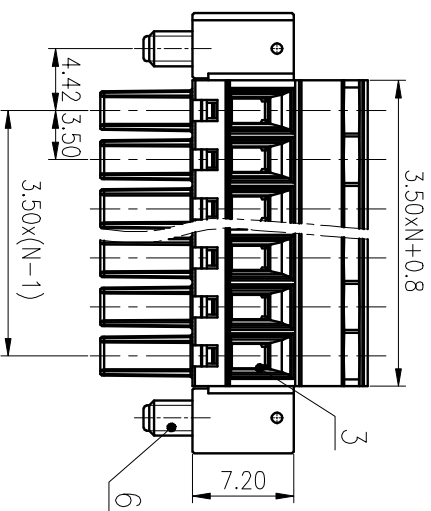
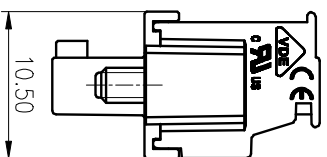
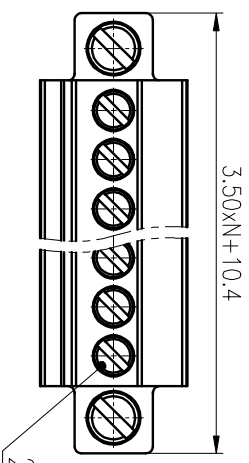


精度等级/General Tolerances(mm)		公差等级/General Tolerances(mm)										公差等级/General Tolerances(mm)			
0	>3	>6	>10	>18	>30	>50	>80	>120	>180	>250	>315	>400	>500	0.1/10	±Z
0	~3	~6	~10	~18	~30	~50	~80	~120	~180	~250	~315	~400	~500	0.1/10	±Z
±0.12	±0.18	±0.22	±0.26	±0.31	±0.37	±0.57	±0.80	±1.05	±1.15	±1.60	±2.20	±2.50	±2.50	±Z	±Z



ITEM	NAME OF PART	MATERIAL	NOTES
6	Screw 2	Steel	M2.5/Zn Plated
5	Cover	PA66	UL94V-0
4	Clamp	Copper Alloy	Sn Plated
3	Cage	Copper Alloy	M2/Ni Plated
2	Screw 1	Steel	M2/Zn Plated
1	Housing	PA66	UL94V-0

UL 标准/UL Standard:	B	C	D
额定电压/电涌/Rated Voltage(V)/Current(A)	300/8	/	300/8
IEC 标准/IEC Standard:			
过压类别/Overvoltage Category/污染等级	II/2		
污染等级	II/2		
额定电压/电涌/Rated Voltage(V)/Current(A)	250/7		
额定脉冲电压(kV)/Rate Impulse Voltage(kV)	2.5		
额定扭矩/Torque Tightening(N·m/Lbin)	M2, 0.2/1.77		
绞合范围(硬线和软线)/Wire Range(rigid and flexible)(mm²/AWG)	0.5~1.5/28~16		
间距/Pitch(mm)/绞线范围/oles	3.5/N=02~22P		
引线长度/Stripping length(mm)	6~7		
使用温度范围/Operating temperature(°C)	-40~+105		
符合RoHS标准/Conform to RoHS	Yes		

MATERIAL:	SURFACE:		
MAT NO.:	/		
STATUS:	/		
APPD: Lan CHH	2020.05.26	NAME:	15EDGKBM-3.5-XXP-1Y-100A(H)
CHKD: Yu JZh	2020.05.26	DRAWING NO.:	10002026
DRAFT: CenK	2020.05.26	TYPE: CUSTOMER DRAWING	SCALE: 2:1

REV	ECN	DESCRIPTION	DRAFT	DATE	SIZE: A4	TYPE: CUSTOMER DRAWING	SCALE: 2:1
1	2	3	4	5	6	1/1	1/1