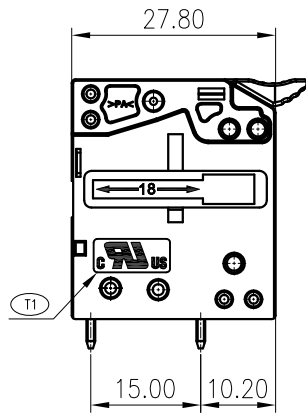
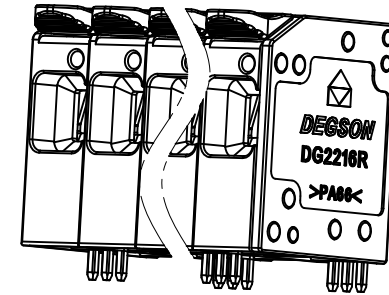
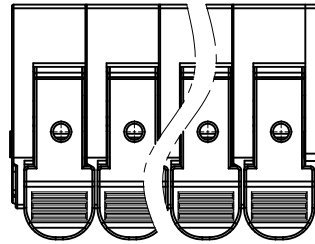
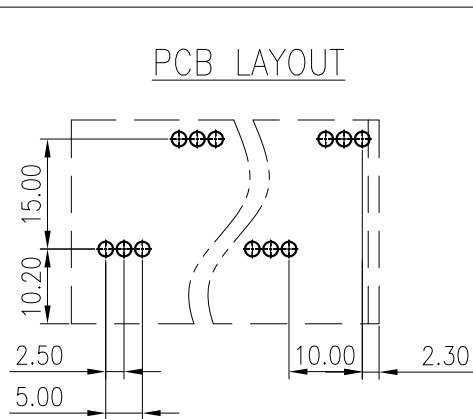
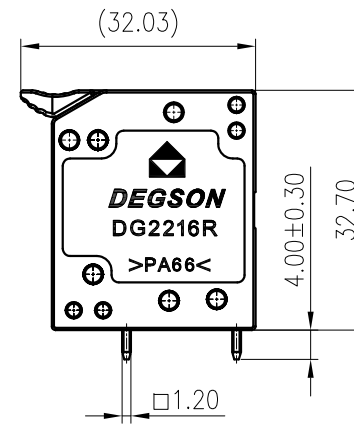
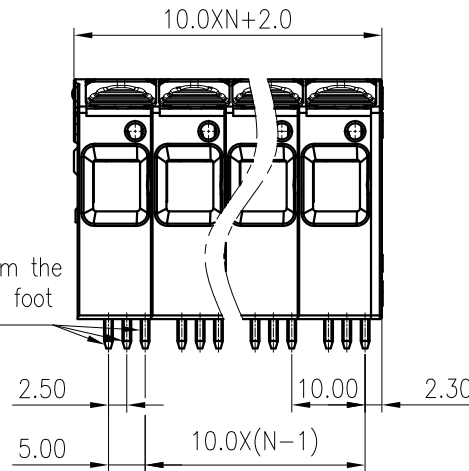


未注公差/General tolerances(mm)												0.1/10	
0	>3	>6	>10	>18	>30	>50	>80	>120	>180	>250	>315		>400
~3	~6	~10	~18	~30	~50	~80	~120	~180	~250	~315	~400	~500	~2'
±0.12	±0.18	±0.22	±0.26	±0.31	±0.37	±0.57	±0.80	±0.93	±1.05	±1.15	±1.60	±2.20	±2.50



The first foot from the left side is front foot



UL 标准/UL Standard:	B	C	D
额定电压/电流/Rated Voltage(V)/Current(A)	600/66	600/66	/
EC 标准/IEC Standard:			
过压类别/Overvoltage Category/污染等级/Pollution Degree	III/3	III/2	II/2
额定电压/电流/Rated Voltage(V)/Current(A)	1000/76	1000/76	1000/76
额定脉冲电压(KV)/Rate Impulse Voltage(KV)	8	8	8
线径范围(硬线和软线)/Wire Range(rigid and flexible)(mm ² /AWG)	0.2~16(25mm ² sol)/18~4		
间距/Pitch(mm)/线数范围/Poles	10.0/N=N=02~12P		
剥线长度/Stripping length(mm)	18~20		
使用温度范围/Operating temperature(°C)	-40~+105		
符合RoHS环保要求/Conform to RoHS	Yes		

MATERIAL: /	SURFACE: /		
MAT NO.:	宁波高松电子有限公司 DEGSON [®] NINGBO DEGSON ELECTRICAL CO., LTD		
STATUS: /	NAME: DG2216R-10.0-DA-XXP-1Y-00A(H)		
APPD:Lan ChH 2021.05.10	CHKD:Yu JZh 2021.05.10		
DRFT:Chen Zh 2019.12.05	DRAWING NO.: 10001001		REV T1
SIZE: A4	TYPE: CUSTOMER DRAWING	SCALE: 1:1	SHEET 1/1

REV	ECN	DESCRIPTION	DRFT	DATE
T1	20210086	1xAdd the UL lettering	Chen Zh	2021.05.10

Transfer or duplication of this document as well as the utilization or communication of its contents are prohibited unless explicit authorization is granted. Violations will be liable for compensation. All rights reserved for patent, utility, model or designs registrations. 除非给予明确授权，否则禁止转让、复制、利用、交易本文件的内容。未经许可擅自复制或传播，侵权者将承担法律责任。 实用新型专利和外观设计专利的所有权利。