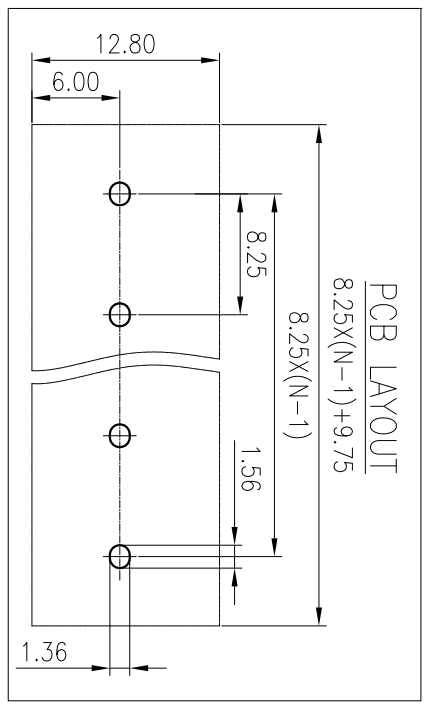
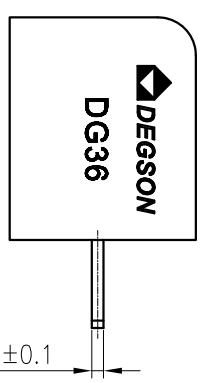
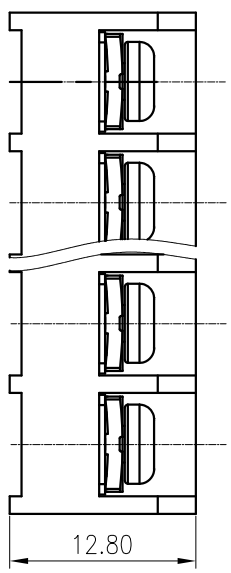
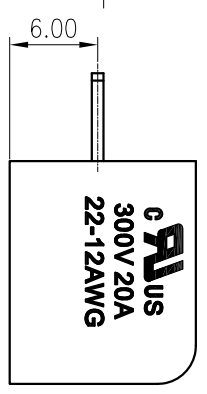
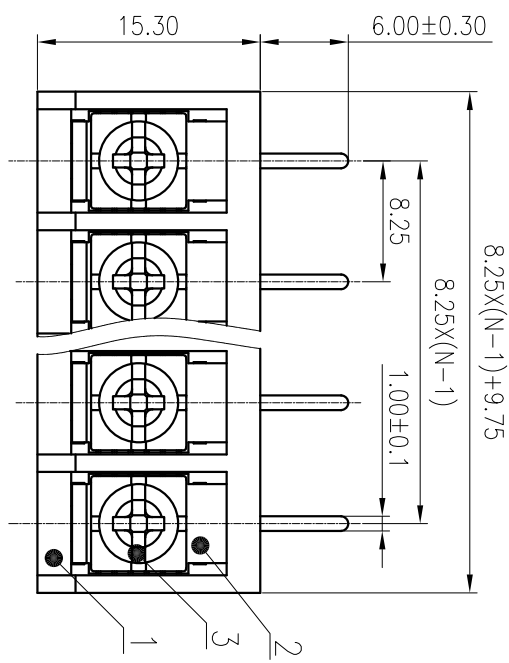


公差/General Tolerances(mm)		0	>3	>6	>10	>18	>30	>50	>80	>120	>180	>250	>315	>400	>500	0.1/1.0
±0.12	±0.18	±0.22	±0.26	±0.31	±0.37	±0.57	±0.80	±0.93	±1.05	±1.15	±1.60	±2.20	±2.50	±2.50	±2	∅



ITEM	NAME OF PART	MATERIAL	NOTES
3	Screw	Steel	M3/Ni Plated
2	Pin Header	Copper Alloy	Sn Plated
1	Housing	PA66	UL94V-0

UL 标准/UL Standard:	B	C	D
额定电压/电流/Rated Voltage(V)/Current(A)	300/20	150/20	300/10
EC 标准/EC Standard:			
过压类别/Overvoltage Category/污染等级/Pollution Degree	III/3	III/2	II/2
额定电压/电流/Rated Voltage(V)/Current(A)	300/32	300/32	600/32
额定脉冲电压(KV)/Rate Impulse Voltage(KV)	4	4	4
螺丝扭矩/Torque Tightening(N.m/Lb.in)	M3, 0.5/4.43		
线径范围(硬线和软线)/Wire Range(rigid and flexible)(mm ² /AWG)	0.5~4/22~12		
间距/Pitch(mm)/线数范围/Poles	8.25/N=02~22P		
使用温度范围/Operating temperature(°C)	-40~+105		
符合RoHS环保要求/Conform to RoHS	Yes		

MATERIAL: / SURFACE: /

MAT NO.: /

STATUS: /

NAME: **DEGSSON**® NINGBO DEGSSON ELECTRICAL CO., LTD

APPD: /

CHKD: /

DRFT: Nick 12/15/15" DRAWING NO.: DG36R-C01

REV	ECN	DESCRIPTION	DRFT	DATE