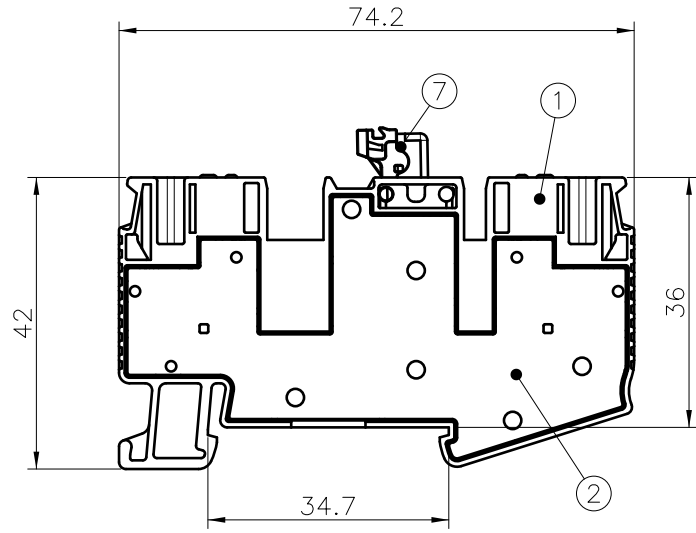
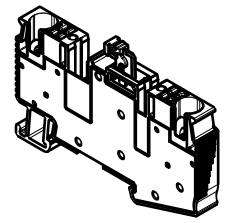
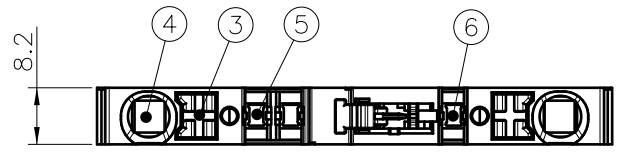
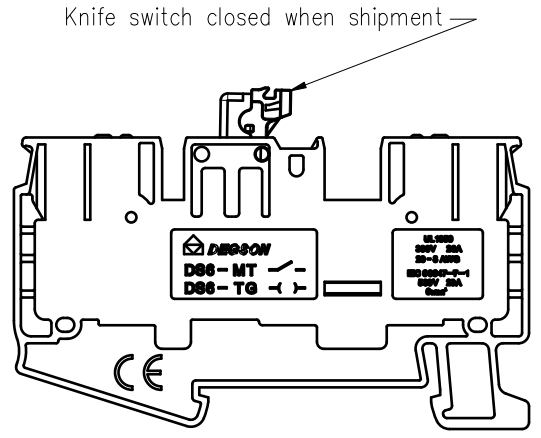


Transfer or duplication of this document as well as the utilization or communication of its contents are prohibited unless explicit authorization is granted. Violations will be liable for compensation. All rights reserved for patent, utility model or designs registrations. 非经许可擅自复制或传播, 否则将承担法律责任。 本公司保留对涉及发明、实用新型和外观设计的所有权利。



公差/General tolerances(mm)														
0	>3	>6	>10	>18	>30	>50	>80	>120	>180	>250	>315	>400	>500	0.1/10
~3	~6	~10	~18	~30	~50	~80	~120	~180	~250	~315	~400	~500		±2'
±0.12	±0.18	±0.22	±0.26	±0.31	±0.37	±0.57	±0.80	±0.93	±1.05	±1.15	±1.60	±2.20	±2.50	
UL 标准/ U.L. Standard:											B	C	D	
额定电压/ 电流/ Rated Voltage(V)/ Current(A)											300V/ 20	300/ 20	/	
IEC 标准/ IEC Standard:														
过压类别/ Overvoltage Category/ 污染等级/ Pollution Degree											III/ 3	III/ 2	II/ 2	
额定电压/ 电流/ Rated Voltage(V)/ Current(A)											500/ 20	/	/	
额定脉冲电压 (KV)/ Rate Impulse Voltage(KV)											6	/	/	
线径范围(硬线和软线)/ Wire Range(rigid and flexible)(AWG mm²)											20~8 / 0.5~6 (10Scl)			
剥线长度/ Stripping length(mm)											10~12			
使用温度范围/ Operating temperature(°C)											- 40~+ 105			
符合 RoHS 环保要求/ Conform to RoHS											Yes			



ITEM	NAME OF PART	MATERIAL	NOTES
7	Knife Switch	PA66/Copper	Sn Plated
6	short current carrier	Copper alloy	Sn Plated
5	Long current carrier	Copper alloy	Sn Plated
4	Spring	Stainless steel	/
3	Button	PA66+GF%	UL94V-0
2	Cover	PA66	UL94V-0
1	Housing	PA66	UL94V-0

DEGSON		MATERIAL: /		SURFACE: /	
APPD: Li GL		MAT NO./REV: /		MAT STATUS: /	
CHKD: Ma EK		NAME DS6-MT-01P-1Y-00A(H)			
DRFT: Zhao QX		DRAWING NO. /		TYPE CUSTOMER DRAWING	
DATE 2022.04.02		DRAWING STATUS /		SCALE 1:1	
A4		SHEET 1/1			

REV	ECN	DESCRIPTION	DRFT	DATE
00	/	/	Zhao QX	2022.04.02