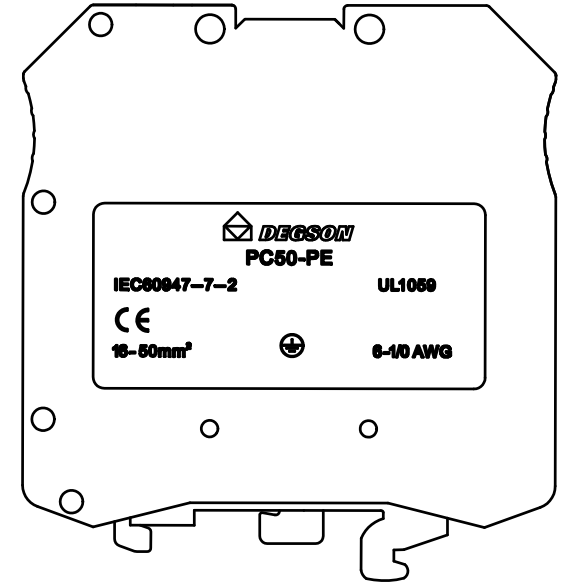
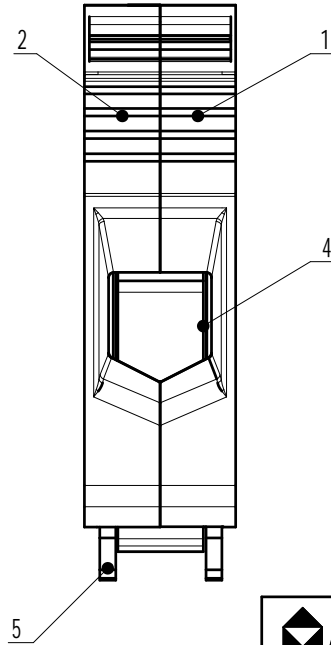
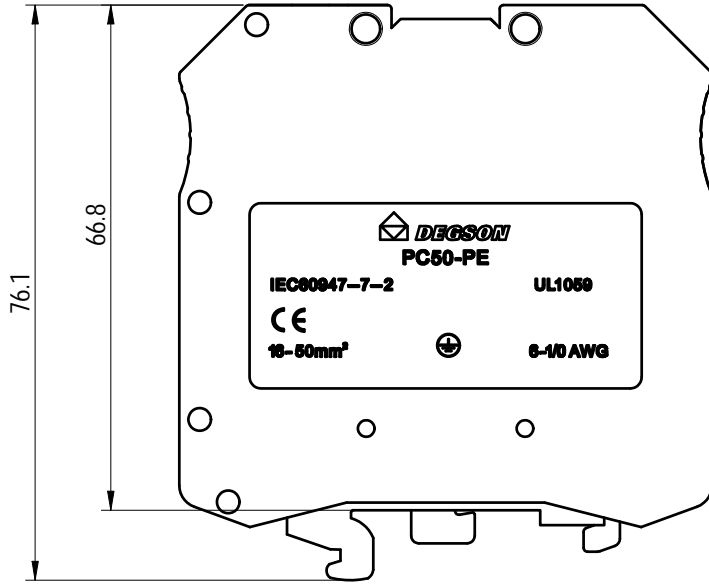
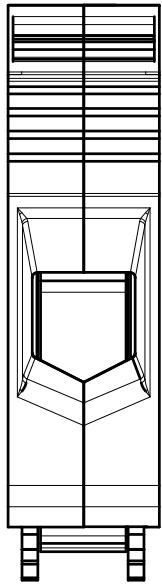
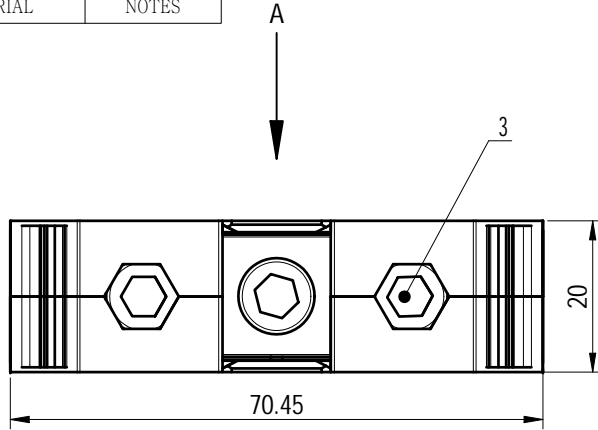


5	Ground contact	/	/
4	Cage	Steel	M6/Zn Plated
3	M6 screw	Copper Alloy	M6/Zn Plated
2	Housing2	PA66	UL94V-0
1	Housing1	PA66	UL94V-0
ITEM	NAME OF PART	MATERIAL	NOTES

未注公差/General tolerances (mm)													0.1/10	
0	>3	>6	>10	>18	>30	>50	>80	>120	>180	>250	>315	>400		>500
±0.12	±0.18	±0.22	±0.26	±0.31	±0.37	±0.57	±0.80	±0.93	±1.05	±1.15	±1.60	±2.20	±2.50	±2'

视图 A



UL 标准/UL Standard:	B	C	D
额定电压/电流/Rated Voltage(V)/Current(A)	/	/	/
IEC 标准/IEC Standard:			
过压类别/Overvoltage Category/污染等级/Pollution Degree	III/3	III/2	II/2
额定电压/电流/Rated Voltage(V)/Current(A)	/	/	/
额定脉冲电压(KV)/Rate Impulse Voltage(KV)	8	/	/
螺丝扭矩/Torque Tightening(N·m/Lb.in)	M6, 6.0/52.17		
线径范围(硬线和软线)/Wire Range(rigid and flexible)(AWG)	6~1 / 0/16~50		
间距/Pitch(mm)	20		
剥线长度/Stripping length(mm)	22~23		
使用温度范围/Operating temperature(°C)	-40~+105		
符合RoHS环保要求/Conform to RoHS	Yes		
标准颜色编号/Standard color number: PANTONE / RAL	/		

<b>DEGSON</b>		MATERIAL: /	SURFACE/COLOR: /	
		MAT NO./REV: /	MAT STATUS: /	
APPD: Peng M	2022.09.27	NAME		
CHKD: Gao WG	2022.09.27	PC50-PE-01P-1Y-01A (H)		
DRFT: Huang RJ	2022.09.27	DRAWING NO.	TYPE	DRAWING STATUS
		/	CUSTOMER DRAWING	/
REV	ECN	DESCRIPTION	SCALE	SHEET
			1:1	1/1

00	/	/	Huang RJ	2022.09.27
REV	ECN	DESCRIPTION	DRFT	DATE

Transfer or duplication of this document as well as the utilization or communication of its content are prohibited unless authorized in writing by the copyright owner. All rights reserved for patent, utility model or design registrations. 除专利等权利外，本文件的所有权、复制、印刷、分发等权利均保留。未经本文件的所有者书面许可，不得复制或传播本文件的内容。所有权利保留。