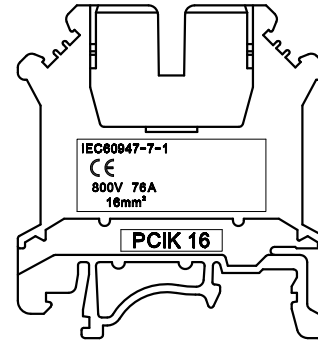
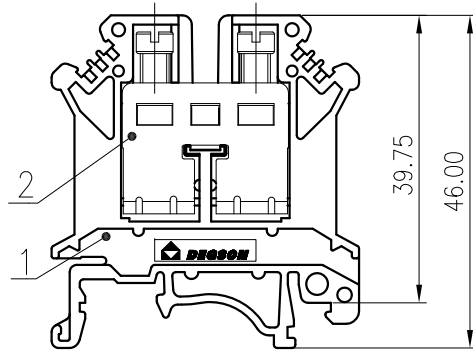
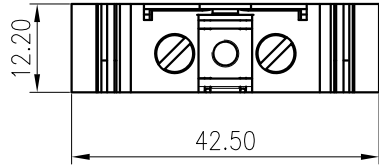


未注公差/General tolerances(mm)											0.1/10 ±2'		
0 ~ 3	>3 ~ 6	>6 ~ 10	>10 ~ 18	>18 ~ 30	>30 ~ 50	>50 ~ 80	>80 ~ 120	>120 ~ 180	>180 ~ 250	>250 ~ 315		>315 ~ 400	>400 ~ 500
±0.12	±0.18	±0.22	±0.26	±0.31	±0.37	±0.57	±0.80	±0.93	±1.05	±1.15	±1.60	±2.20	±2.50



2	Hardware group		
1	Housing	PA66	UL94V-0
ITEM	NAME OF PART	MATERIAL	NOTES
UL 标准/UL Standard:		B	C
额定电压/电流/Rated Voltage(V)/Current(A)		600/85	/
EC 标准/IEC Standard:			
过压类别/Overvoltage Category/污染等级/Pollution Degree		III/3	/
额定电压/电流/Rated Voltage(V)/Current(A)		800/76	/
额定脉冲电压(KV)/Rate Impulse Voltage(KV)		8.0	/
螺丝扭矩/Torque Tightening(N·m/Lb.in)		M4, 1.2/10.53	
线径范围(硬线和软线)/Wire Range(rigid and flexible)(mm <sup>2</sup> /AWG)		4~16/12~4	
间距/Pitch(mm)		12.20	
剥线长度/Stripping length(mm)		9-10	
使用温度范围/Operating temperature(°C)		-40~+105	
符合RoHS环保要求/Conform to RoHS		Yes	
标准颜色编号/Standard color number:		PANTONE / RAL	

MATERIAL:	SURFACE:		
MAT NO.:	宁波高松电子有限公司 NINGBO DEGSON ELECTRICAL CO., LTD		
STATUS:	NAME:		
APPD:	PCIK16-01P-1Y-00A(H)		
CHKD:	DRAWING NO.: PCIK16-C01		
DRFT: CMZ 2018.05.12	REV	T1	
SIZE: A4	TYPE: CUSTOMER DRAWING	SCALE: 1:1	SHEET 1/1

REV	ECN	DESCRIPTION	DRFT	DATE