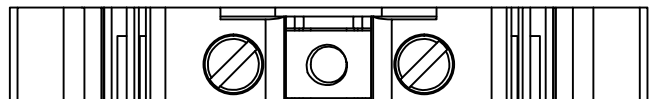
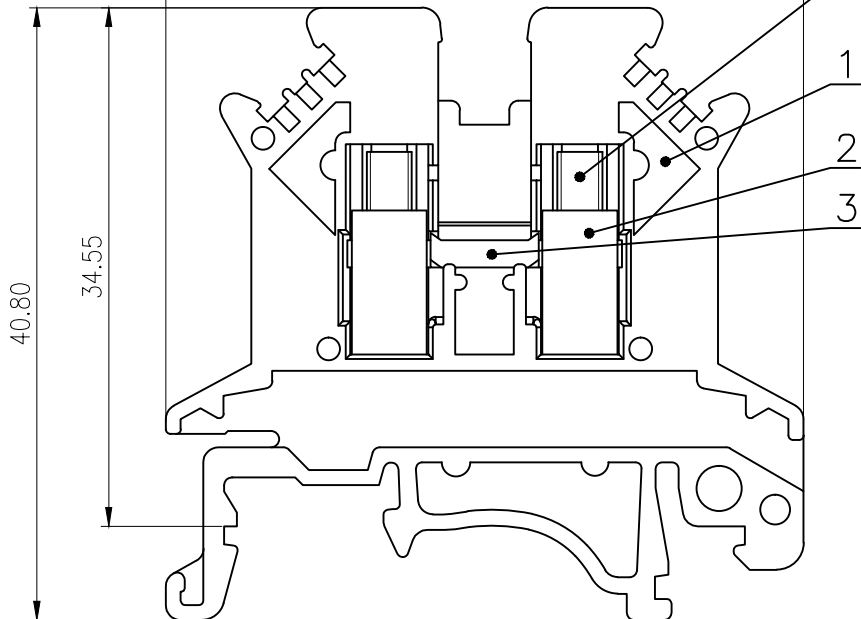


未注公差/General tolerances(mm)													0.1/10
0 ~ 3	>3 ~ 6	>6 ~ 10	>10 ~ 18	>18 ~ 30	>30 ~ 50	>50 ~ 80	>80 ~ 120	>120 ~ 180	>180 ~ 250	>250 ~ 315	>315 ~ 400	>400 ~ 500	
±0.12	±0.18	±0.22	±0.26	±0.31	±0.37	±0.57	±0.80	±0.93	±1.05	±1.15	±1.60	±2.20	±2.50

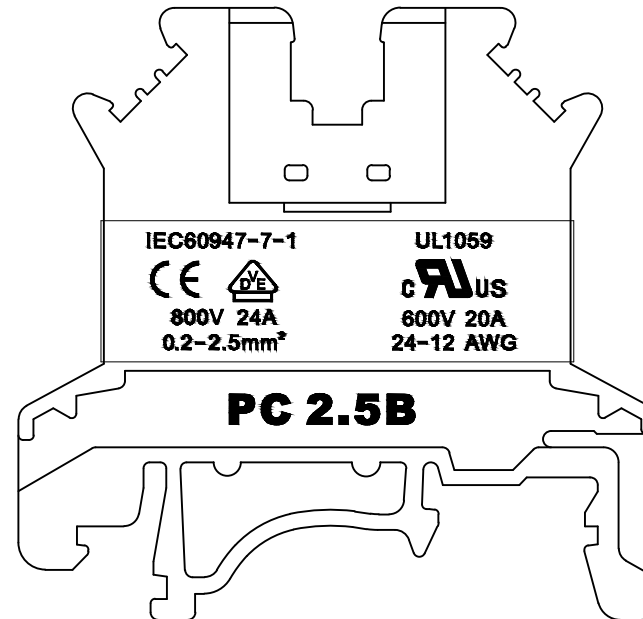


42.50

6.20



40.80
34.55



IEC60947-7-1
CE
800V 24A
0.2~2.5mm²

UL1059
C_{UL} US
600V 20A
24-12 AWG

PC 2.5B

UL 标准/UL Standard:	B	C	D
额定电压/电流/Rated Voltage(V)/Current(A)	600/20	600/20	600/5
EC 标准/IEC Standard:			
过压类别/Overvoltage Category/污染等级/Pollution Degree	III/3	/	/
额定电压/电流/Rated Voltage(V)/Current(A)	800/24	/	/
额定脉冲电压(KV)/Rate Impulse Voltage(KV)	8.0		
螺丝扭矩/Torque Tightening(N·m/Lb.in)	M3, 0.5/4.43		
线径范围(硬线和软线)/Wire Range(rigid and flexible)(mm ² /AWG)	0.2~2.5/24~12		
间距/Pitch(mm)	6.2		
剥线长度/Stripping length(mm)	7		
使用温度范围/Operating temperature(°C)	-40~+105		
符合RoHS环保要求/Conform to RoHS	Yes		
标准颜色编号/Standard color number: PANTONE / RAL	/		

4	Screw	Copper Alloy	M3\Ni Plated
3	Current carrier	Copper	Sn Plated
2	Cage	Copper Alloy	M3\Ni Plated
1	Housing	PA66	UL94V-0
ITEM	NAME OF PART	MATERIAL	NOTES

REV	ECN	DESCRIPTION	DRFT	DATE

MATERIAL: /	SURFACE: /		
MAT NO.: /	宁波高松电子有限公司 NINGBO DEGSON ELECTRICAL CO., LTD		
STATUS: /			
APPD: Li GL 2020.04.02	NAME: PC2.5B-01P-1Y-00A(H)		
CHKD: Mao J 2020.04.02	DRAWING NO.: PC2.5B-C01		
DRFT: Wang LX 2020.04.02	REV	T0	
SIZE: A4 mm (inch)	TYPE: CUSTOMER DRAWING	SCALE: 2:1	SHEET 1/1