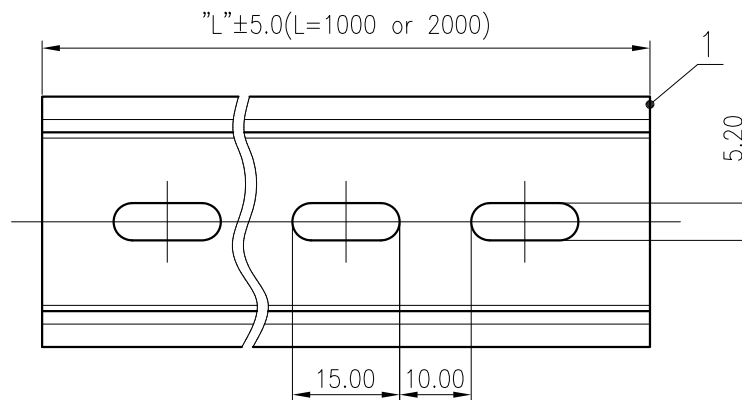
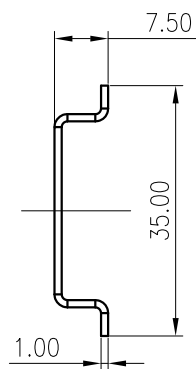


未注公差/General tolerances(mm)											0.1/10		
0 ~ 3	>3 ~ 6	>6 ~ 10	>10 ~ 18	>18 ~ 30	>30 ~ 50	>50 ~ 80	>80 ~ 120	>120 ~ 180	>180 ~ 250	>250 ~ 315		>315 ~ 400	>400 ~ 500
±0.12	±0.18	±0.22	±0.26	±0.31	±0.37	±0.57	±0.80	±0.93	±1.05	±1.15	±1.60	±2.20	±2.50



1	NS35/7.5-XXXX-500A(H)	Steel	Zn plated
ITEM	NAME OF PART	MATERIAL	NOTES
使用温度范围/Operating temperature(°C)			-40~+105
符合RoHS环保要求/Conform to RoHS			Yes

MATERIAL:		SURFACE:	
MAT NO.:	/	宁波高松电子有限公司 NINGBO DEGSON ELECTRICAL CO., LTD	
STATUS:	/		
APPD:	Li GL 2020.06.10	NAME:	
CHKD:	Mao J 2020.06.10	NS35/7.5-XXXX-500A(H)	
DRFT:	Feng X 2020.06.10	DRAWING NO.:	NS35/7.5-C95
REV	ECN	DESCRIPTION	DRFT
DATE	SIZE: A4	mm (inch)	TYPE: CUSTOMER DRAWING
		SCALE: 1:1	REV TO
		SHEET	1/1

REV	ECN	DESCRIPTION	DRFT	DATE
-----	-----	-------------	------	------