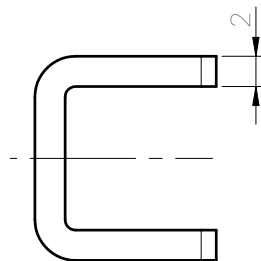
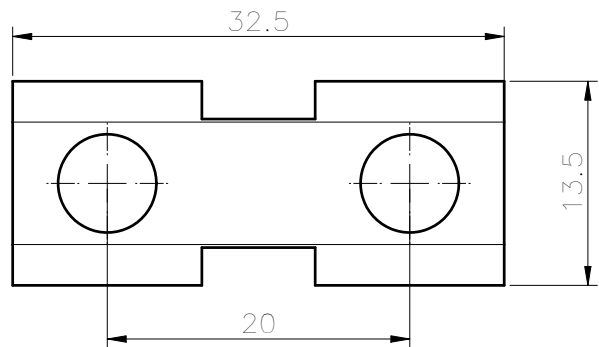
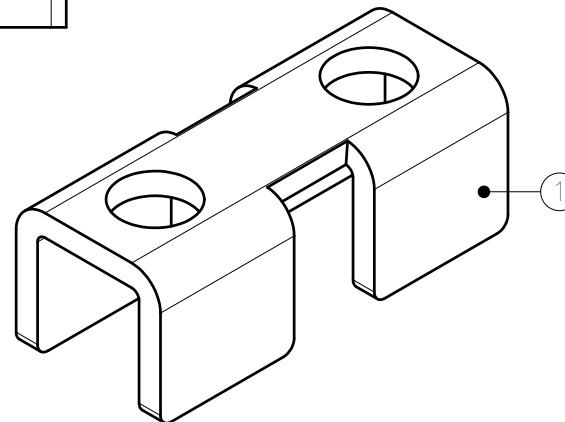
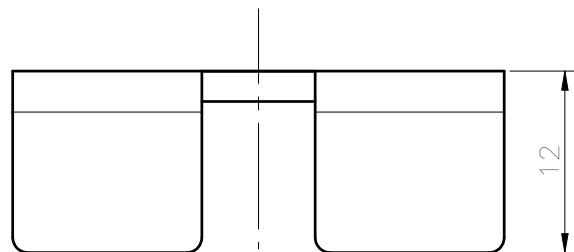


未注公差/General tolerances(mm)											0.1/10		
0 ~ 3	>3 ~ 6	>6 ~ 10	>10 ~ 18	>18 ~ 30	>30 ~ 50	>50 ~ 80	>80 ~ 120	>120 ~ 180	>180 ~ 250	>250 ~ 315		>315 ~ 400	>400 ~ 500
±0.12	±0.18	±0.22	±0.26	±0.31	±0.37	±0.57	±0.80	±0.93	±1.05	±1.15	±1.60	±2.20	±2.50
											±2'		

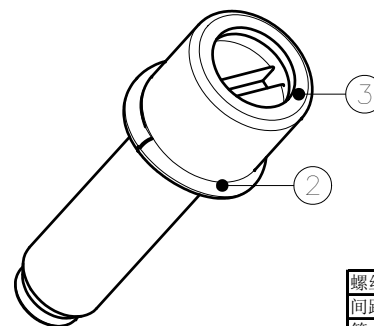
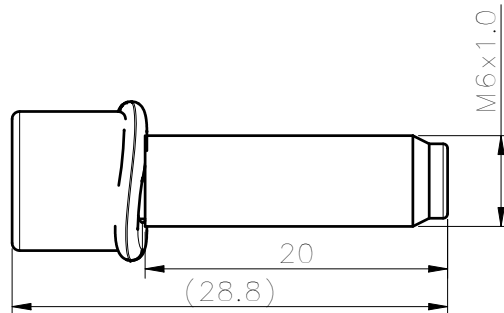
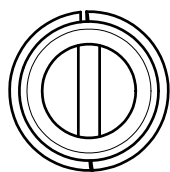


Please refer to the 3D model, for those unmarked dimensions



Current_carrier: Screw = 1:2

Please refer to the 3D model, for those unmarked dimensions



ITEM	NAME OF PART	MATERIAL	NOTES
3	Cover	Silicone	UL94V-0
2	Screw	Steel	Ni-Plated
1	Current_carrier	Copper	Sn-Plated

螺丝扭矩/Torque Tightening(N·m/Lb.in)	M6, 2.5/22.2
间距/Pitch(mm)/线数/Poles	20/N=02P
符合RoHS环保要求/Conform to RoHS	Yes



MATERIAL: /	SURFACE/COLOR: /
MAT. NO./REV: /	MAT STATUS: /

APPD: PengM	2022.06.17	NAME
CHKD: GaoWG	2022.06.17	

DRFT: XieXD	2022.06.17	DRAWING NO.	TYPE	DRAWING STATUS	SCALE	SHEET
		/	CUSTOMER DRAWING	/	2:1	1/1

REV	ECN	DESCRIPTION	DRFT	DATE
00	/	/	XieXD	2022.06.17

Transfer or duplication of this document as well as the utilization or communication of its contents are prohibited unless authorized. All rights reserved for patent, utility model or design registrations. 非经书面授权, 复制或传播本文件内容, 侵犯者将负法律责任。 保留所有权利, 专利、实用新型和外观设计。 未经许可, 复制或传播本文件内容, 侵犯者将负法律责任。 保留所有权利, 专利、实用新型和外观设计。